

Ferno

B&T



Ferno

Lounge

Indoor



Ferno



Lounge



Indoor



Ferno

Lounge

Ferno

Meet Ferno with its contemporary design, strong nature, delicate workmanship as well as its form featuring soft curves, which gives a timeless answer to the classical understanding of comfort.

Indoor

Offering an inviting atmosphere with its large and comfortable seat, Ferno easily adapts to various usage alternatives and different spaces such as offices, hotels, waiting rooms thanks to its simple aesthetics. Designed as a single sofa, Ferno makes room for site-specific adaptations with its choice of material supporting its cozy nature, while allowing the design to be customized.



Designer

Alp Nuhođlu - 2020

Ferno

Lounge

Indoor





Ferno

Lounge

Indoor

Product Details



Designed as a single sofa, Ferno makes room for site-specific adaptations with its choice of material supporting its cozy nature, while allowing the design to be customized.



Its legs and armrests shaped by massive metal with a refined, linear form create a striking contrast with its large seat. Combining contrasts in harmony, Ferno allows for authenticity brought about by creative ideas thanks to its modifiable alternatives of colour and texture.



Ferno

Lounge

Indoor

Finish Options

A rich range of material choices is provided for Ferno series to create the best match within interior style.

Metal Finishes

Electrostatic Powder Coating



Upholstery

Fabric, Leather, Artificial Leather.
COM and COL options are also available

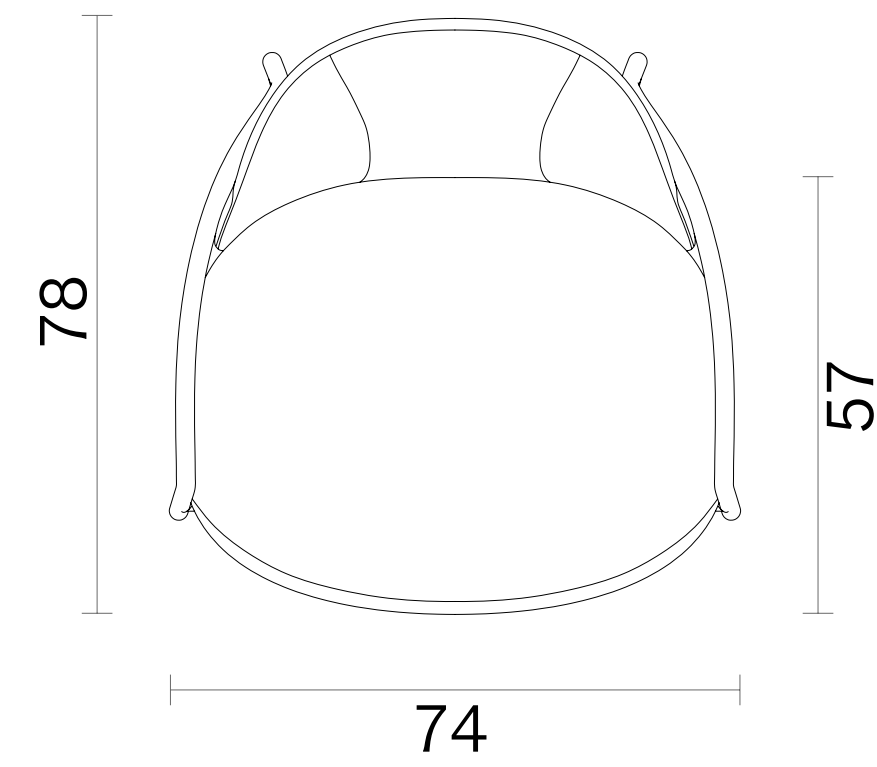
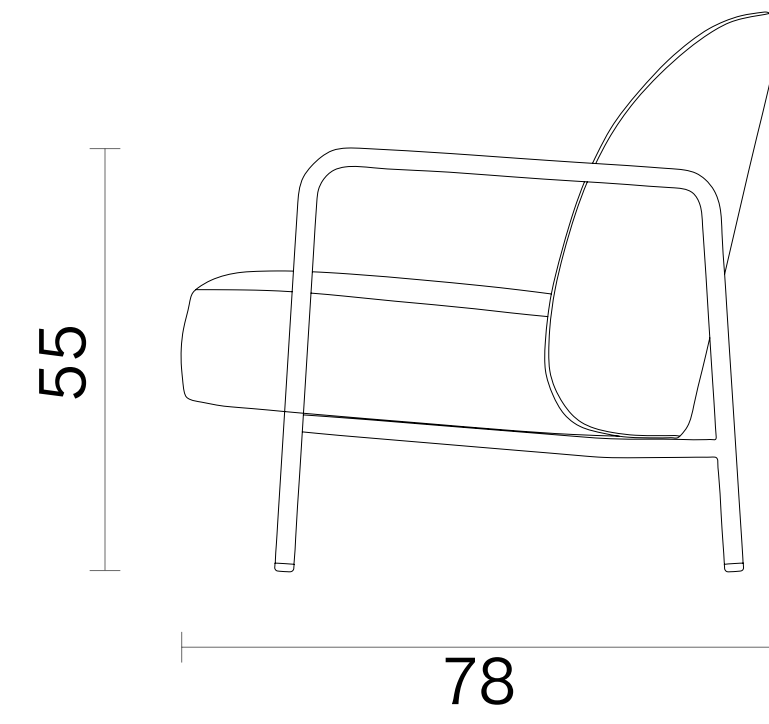
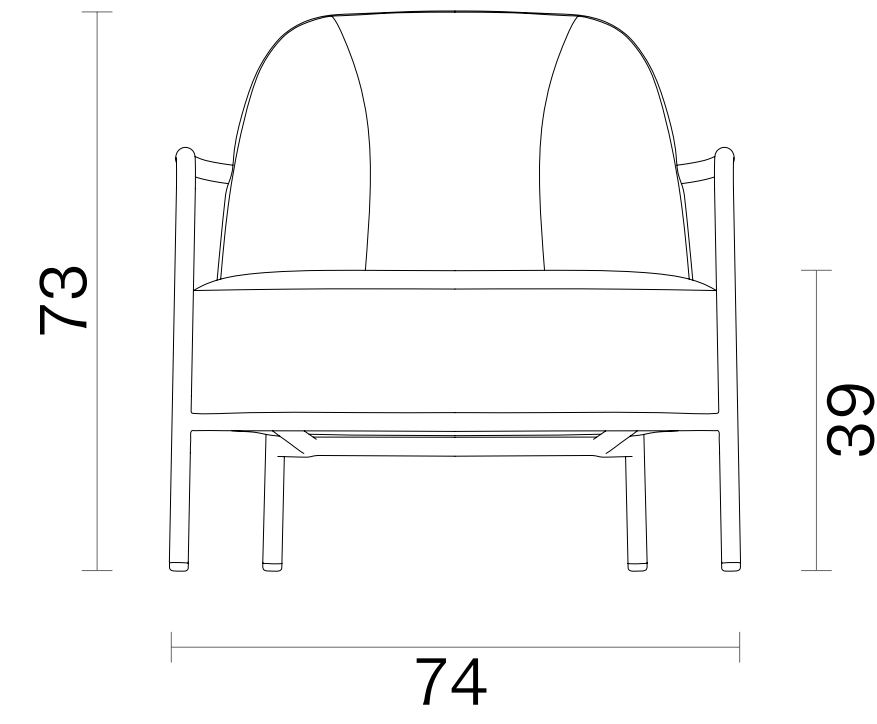
textile fabric yardage (mt)	2
real leather square meter (m ²)	3

More options are downloadable in the catalogues

MATERIAL CATALOGUE 

FABRIC & LEATHER CATALOGUE 

Dimensions (cm)



Ferno

Lounge

Indoor

Downloads

2D & 3D FILES 

PRODUCT IMAGES 

CERTIFICATES 

You can run this product
with following system:



Ferno

Lounge

Indoor

Technical Specifications

Package Dimensions (cm) Quantity in Box: 1	75x80x80
Volume (m³)	0,48
Weight (kg)	19
Structure	Solid Beechwood + Plywood
Seat / Back	Plywood + HR Foam + Elastic Webbing / Metal Structure + Polyurethane Foam
Base	Ø25 mm Metal Tube + Electrostatic Powder Coated

CARE AND MAINTENANCE



Care and maintenance instructions & warranty certificate **click and download**

Ferno

Lounge

Indoor





www.bt.design

Showroom

Istanbul
istanbul@bt.design

Ankara
ankara@bt.design

London
london@bt.design

Factory

Istanbul
fabrika@bt.design

Bulgaria
europa@bt.design

Export

export@bt.design